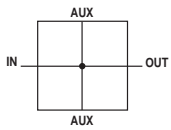


Diverter Block N08

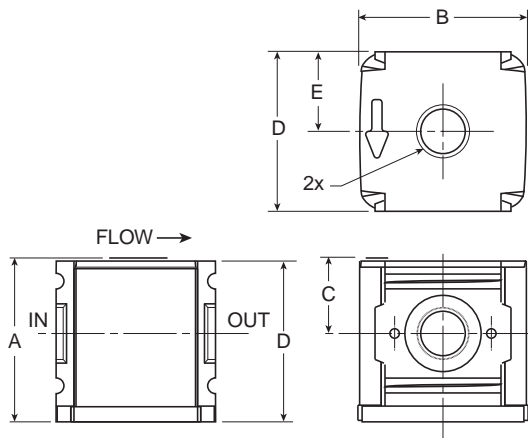
 = "Most Popular"



N08-02-0000

Features

- Available in 1/4 Threaded Ports
- Modern Design and Appearance
- Light Weight
- Two 1/4 Threaded Auxiliary Ports Standard
- Two Additional Auxiliary Ports Optional
- Can be Mounted Anywhere in the FRL System
- Includes One Pipe Plug



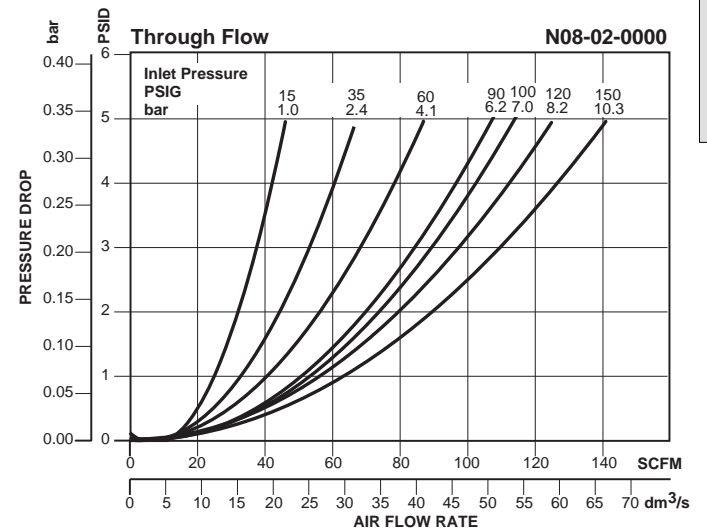
Specifications

Flow Capacity*	1/4	140 SCFM (66.1 dm ³ /s)
Auxiliary Port (2)	NPT / BSPP-G	1/4
Maximum Supply Pressure		300 PSIG (20.7 bar)
Operating Temperature		32° to 150°F (0° to 65.5°C)
Port Size (In / Out)	NPT / BSPP-G	1/4
Weight	lb. (kg)	.42 (0.19)

* Inlet pressure 150 PSIG (10.3 bar). Pressure drop 5 PSID (0.3 bar).

Materials of Construction

Body	Zinc
------	------



Dimensions

Models	Inches (mm)	A	B	C	D	E
Standard Unit N08-02-0000		1.61 (41)	1.66 (42)	0.74 (19)	1.58 (40)	0.79 (20)

Ordering Information

Model Type	In / Out Port Size	Auxiliary Port Size	Model
N08	1/4	1/4	N08-02-0000

Options - To order an option supplied with the unit model, add the appropriate coded suffix letter in the designated position of the model number.

Additional Modular Products